



Boks Sconce Installation Instructions

ADA Wall Sconces

For:

22477-14

22477-18

22478-14

22478-18

22478-22



ENGLISH

IMPORTANT! Always shut off power to the circuit before starting installation work. In compliance with product warranty, installation must be completed by a qualified electrician.

ESPAÑOL

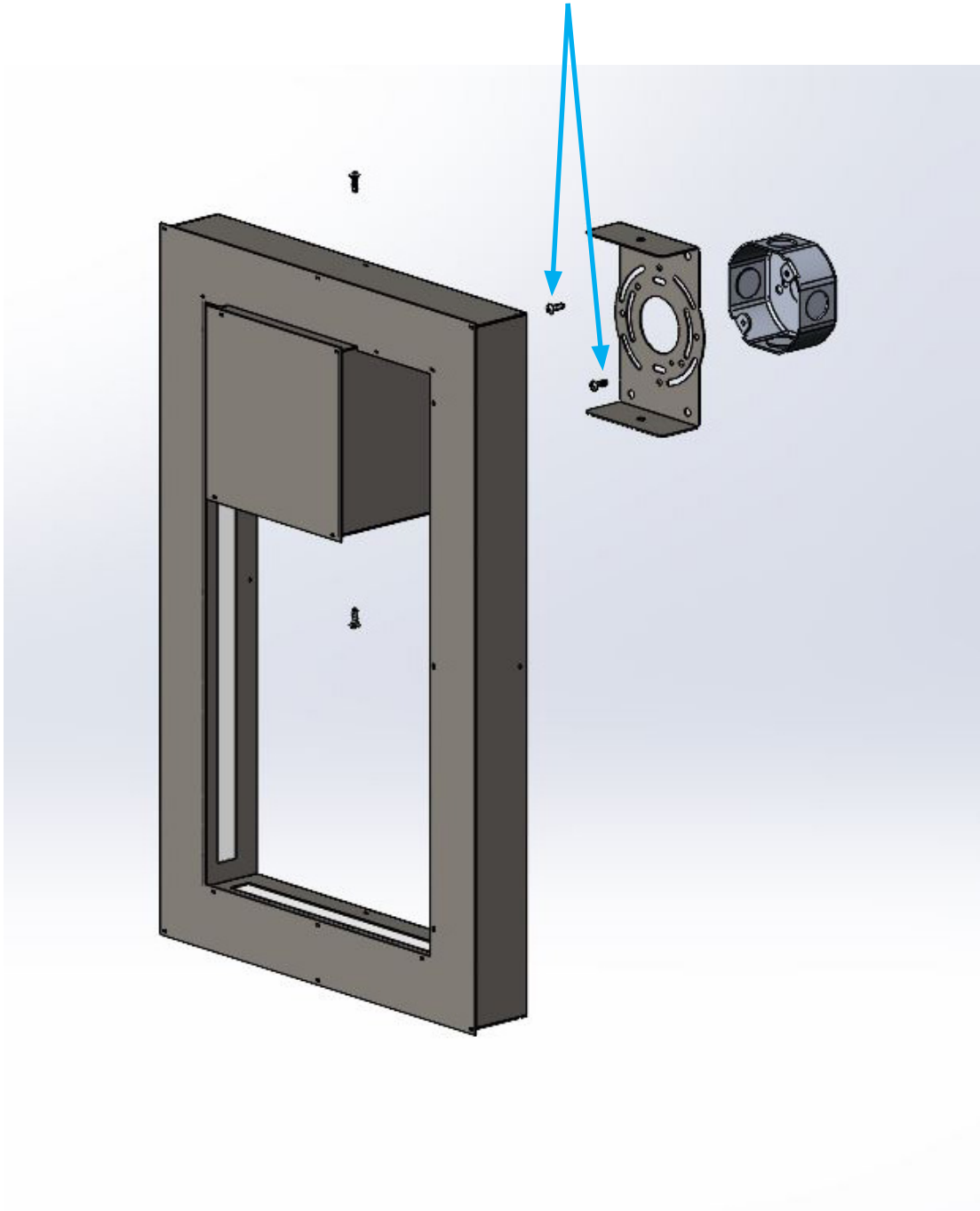
¡IMPORTANTE! Siempre pagar el interruptor general de la electricidad antes de iniciar cualquier trabajo de instalación. De acuerdo con la garantía del producto, la instalación debe ser realizada por un electricista calificado.

Read all instructions

- Turn off electrical power before installing or modifying the lighting system in any way.
- Do not conceal or extend exposed conductors through a building wall.
- Do not install in wet locations.
- To reduce the risk of fire and burns, do not install fixture where the exposed bare cables can be shorted or contact any conductive material.
- To reduce the risk of fire and overheating, make sure all connections are tight.
- Do not install any light fixture closer than 6" from any curtain or similar combustible materials.

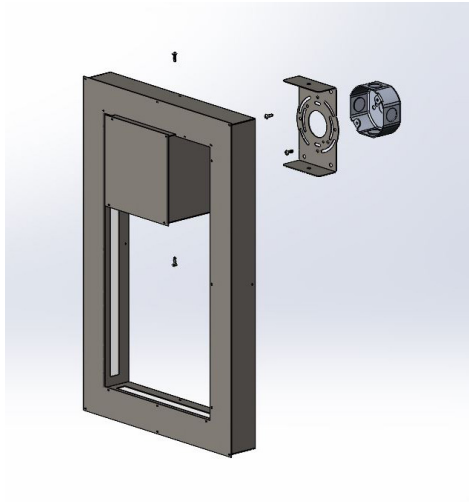
Product Detail

fasteners not included



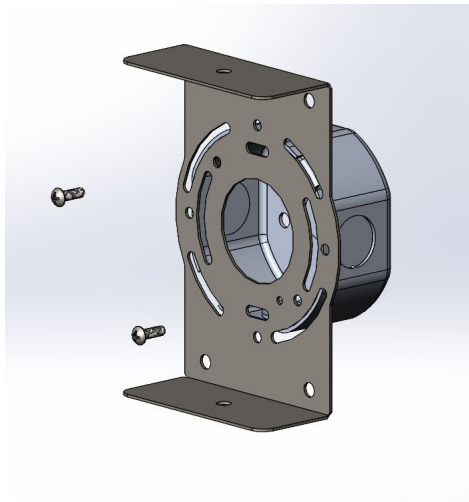
1

Unpack fixture and remove front shroud from mounting plate by removing (x2) button head screws on top and bottom.



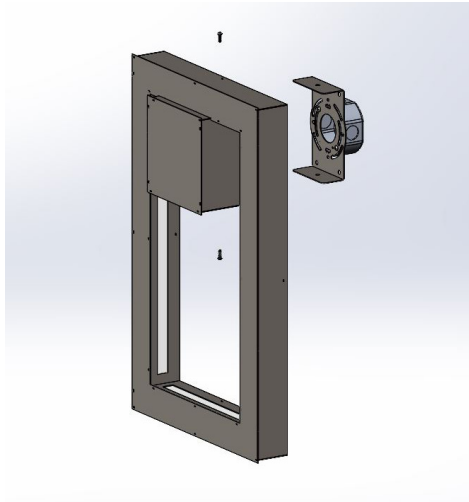
2

Center mounting plate to j-box and secure with appropriate fasteners. Fasteners not included.



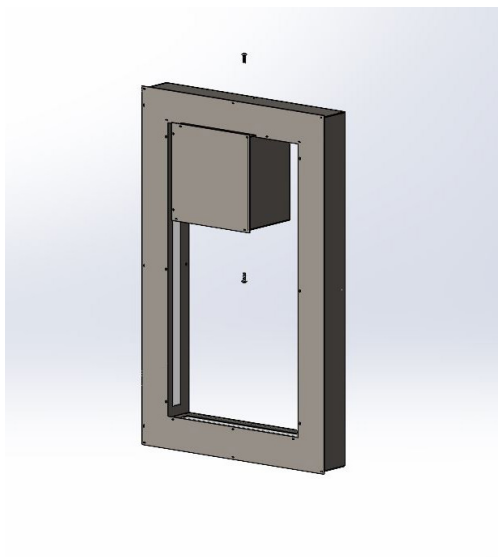
3

Connect wire leads from backplates to power source at j-box.



4

Re-install front shroud onto backplate and secure with (x2) button head screws.





Lights on!

