



## Profiles 9707-12

project name:

project location:

specifier name:

specifier location:

quantity:

fixture type:

modifications:

### Base Specs

12"h x 5"w x 4"d

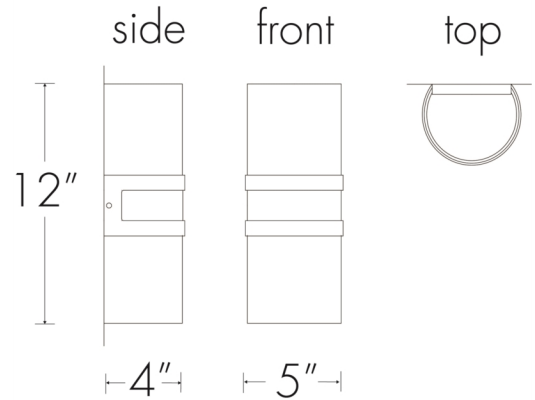
### Notes

Marine grade primer available — **±\$ Inquire.**

### Multiple Sizes Available

9707 | 18"h x 8"w x 4"d

9707-12 | 12"h x 5"w x 4"d





## Profiles 9707-12

### standard finish:

BA - Bronze Age  
BK - Black  
BP - Black Pearl  
CB - Cast Bronze  
CH - Chestnut  
CR - Chrome  
DI - Dark Iron  
EB - Empire Bronze  
MB - Medieval Bronze  
NB - New Brass  
SB - Smokey Brass  
SP - Satin Pewter  
SS - Smoked Silver

### lampping:

**02:** 8.4w Integrated LED, 1181 Initial Lumens, 3000K, 90 CRI, 120V, Standard Phase Dimming (120V), or 120-277V, 0-10V Dimming (277V), UL/cUL Wet (120V Or 277V Must Be Specified)

**03:** Incandescent, 1 x E12 - 60W max ea, Candelabra, 120V, Standard Phase Dimming, UL/cUL Dry/Damp

**04:** 9.38w Integrated LED, 1444 Initial Lumens, 3000K, 90 CRI, 120V-277V, 0-10V Dimming, UL/cUL Dry/Damp

**14:** 8.4w Integrated LED, 1181 Initial Lumens, 3000K, 90 CRI, 120V, Standard Phase Dimming, UL/cUL Dry/Damp

### standard diffuser:

OA - Opal Acrylic

### premium diffuser:

CO - Caramel Onyx  
FA - Faux Alabaster  
TS - Tea Stained  
WS - White Swirl

