



# Icon 23524CS-14

project name:

project location:

specifier name:

specifier location:

quantity:

fixture type:

modifications:

### Base Specs 1

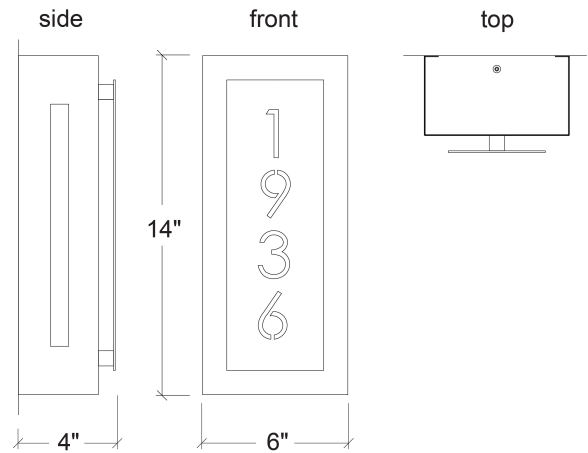
4"h x 6"w x 4"d  
 Opal Acrylic diffuser  
 Up to 4 custom characters included

### Notes

Marine grade primer available — **±\$ Inquire.**  
 Custom logos available — **±\$ Inquire.**

### Multiple Sizes Available

23524CS-14 | 14"h x 6"w x 4"d  
 23524CS-24 | 24"h x 6"w x 4"d





## Icon 23524CS-14

finish (body):

BA - Bronze Age  
BK - Black  
CB - Cast Bronze  
DI - Dark Iron  
NB - New Brass  
SP - Satin Pewter

finish (face):

CS - Corten Steel

standard diffuser:

OA - Opal Acrylic

lampping:

**02:** 8.4w Integrated LED, 1181 Initial Lumens, 3000K, 90 CRI, 120V, Standard Phase Dimming (120V), or 120-277V, 0-10V Dimming (277V), UL/cUL Wet (120V Or 277V Must Be Specified)

**04:** 9.38w Integrated LED, 1444 Initial Lumens, 3000K, 90 CRI, 120V-277V, 0-10V Dimming, UL/cUL Dry/Damp

**14:** 8.4w Integrated LED, 1181 Initial Lumens, 3000K, 90 CRI, 120V, Standard Phase Dimming, UL/cUL Dry/Damp

